



Presentation slotted drains and revision of the modernized Base DN 100 series



Modernized series slots drains and revision Base DN 100

Load class	Base DN 100 series accessories slots drains and revision				
<p>A 15</p> 	<p>2087-L-25*</p> 	<p>2087-L-100*</p> 			
	<p>208875-L-25*</p> 	<p>201875-L-100*</p> 	<p>209875-L-25*</p> 	<p>209875-L-100*</p> 	
<p>A 15 B 125 C 250</p>   	<p>2087-L-100*</p> 				
	<p>201175-L-100</p> 	<p>209975-L-100</p> 			

- These items are completed with any channel of the **Base series - standard board**.
- Load class (A15, B125, C250) are assigned to a set of reinforcing attachments (or revisions) with a channel according to the installation diagrams.
- * - slots drains are also available in gray and are indicated at the end of the article: - GY

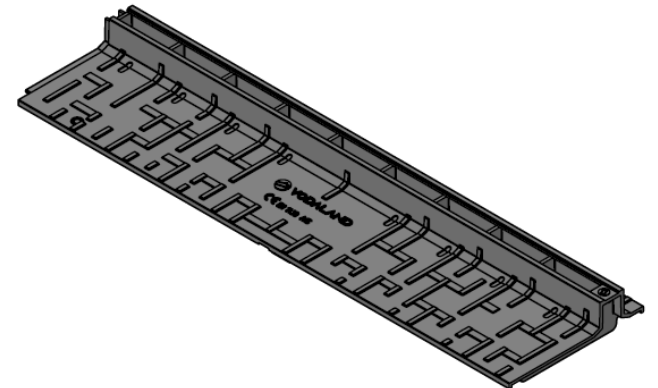
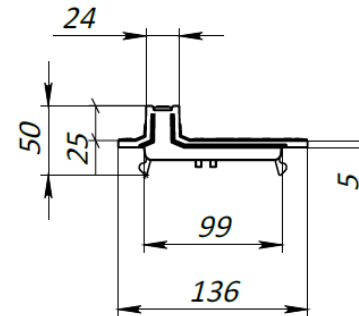
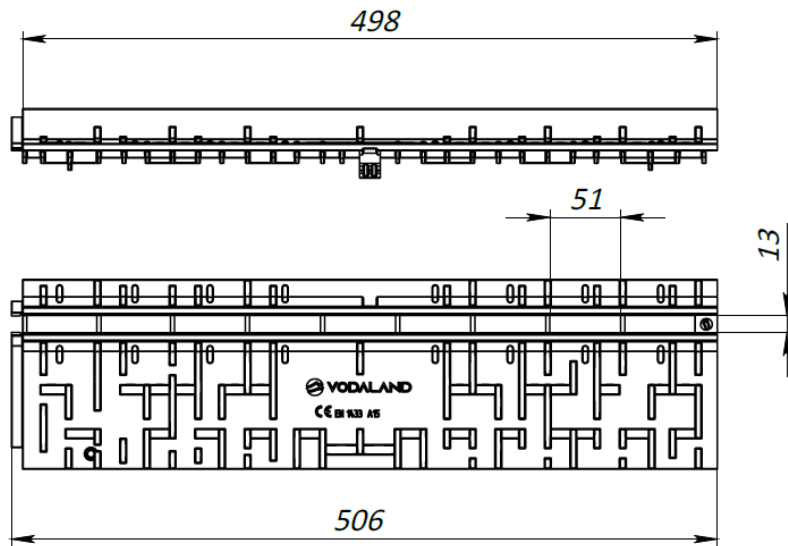
4" Plastic slot drain L-type H0.98" for channel Base A15 (2087-L-25). (Plastic slot drain L-type H25 for channel Base DN100 A15 (2087-L-25))



Technical characteristics	
Width, inch (mm)	5-3/8" (136)
Height, inch (mm)	2" (50)
Length, inch (mm)	19-5/8" 498
Load class	A15
Weight, lb (kg)	0.88 (0.4)
Item	2087-L-25

- Important! The slot drain is only equipped with channels with a standard side!
- Important! The height of slot drain from the top level of the standard side of the channels is 25 mm!
- Important! The height of the slot drain from the upper level of the polymer concrete channels board is 30 mm!

4" Plastic slot drain L-type H0.98" for channel Base A15
(2087-L-25). (Plastic slot drain L-type H25 for channel Base
DN100 A15 (2087-L-25))

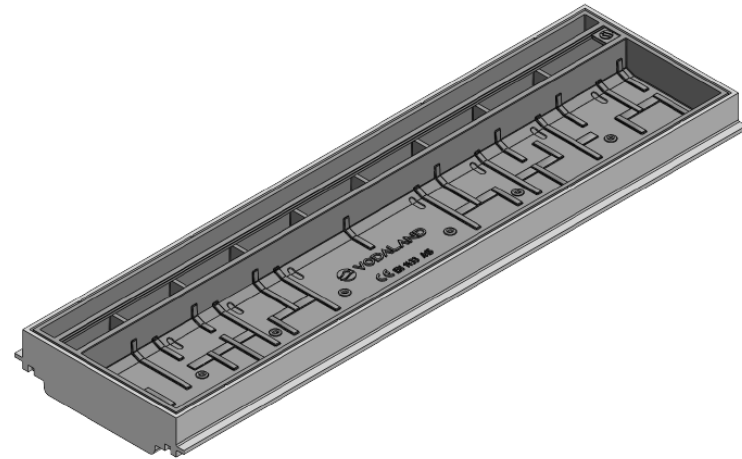
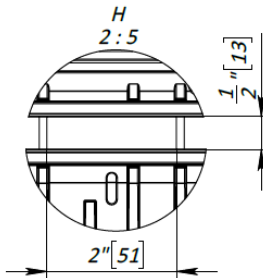
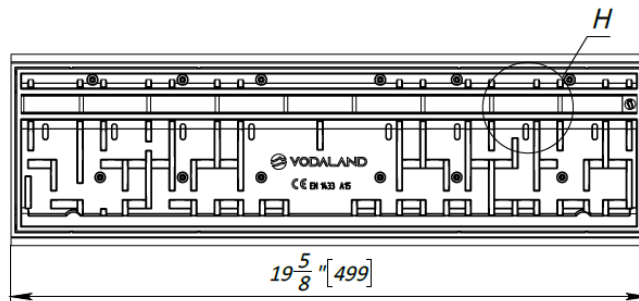
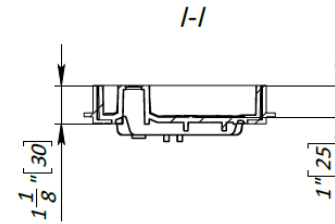
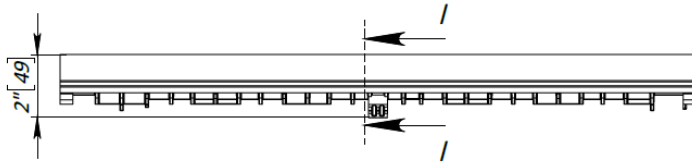


4" Plastic revision of slot plastic drain L-type H0.98" for channel Base A15 (Plastic revision of slot plastic drain L-type H25 for channel Base DN100 A15)



Technical characteristics	
Width, inch (mm)	5-7/8" (150)
Height, inch (mm)	1-1/2" (39)
Length, inch (mm)	19-5/8" (499)
Load class	A15
Weight, lb (kg)	1.34 (0,61)
Item	208875-L-25

4" Plastic revision of slot plastic drain L-type H0.98" for channel Base A15 (Plastic revision of slot plastic drain L-type H25 for channel Base DN100 A15)



1. Deviation of the actual weight of the nominal can be up to 8%

UNLESS OTHERWISE SPECIFIED:
DIMENSIONS ARE IN
MILLIMETERS
SURFACE FINISH:

FINISH:

DO NOT SCALE DRAWING

REVISION

A-01

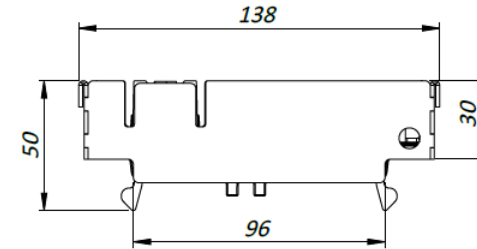
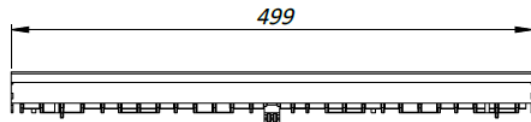
4" Composite revision of slot plastic drain L-type H0.98" for channel Base A15 (209875-L-25). (Composite revision of slot plastic drain L-type H25 for channel Base DN100 A15 (209875-L-25))



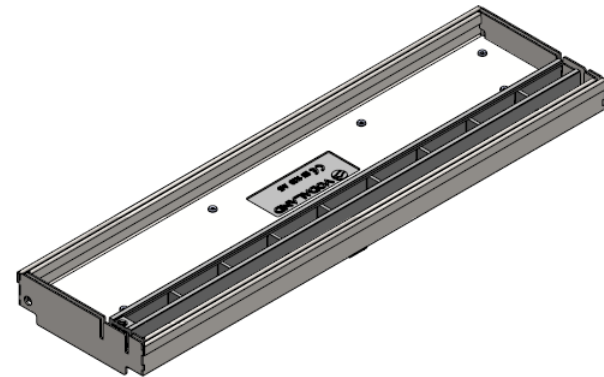
Technical characteristics

Width, inch (mm)	5-1/2" (138)
Height, inch (mm)	2" (50)
Length, inch (mm)	19-5/8" 498
Load class	A15
Weight, lb (kg)	4.25 (1,94)
Item	209875-L-25

4" Composite revision of slot plastic drain L-type H0.98" for channel Base A15 (209875-L-25). (Composite revision of slot plastic drain L-type H25 for channel Base DN100 A15 (209875-L-25))



A (1 : 2)



4" Plastic slot drain L-type H3.94" for channel Base A15-C250 (2087-L-100). (Plastic slot drain L-type H100 for channel Base DN100 A15-C250 (2087-L-100))

Technical characteristics

Width, inch (mm)

5-3/8" (136)

Height, inch (mm)

5-1/2" (140)

Length, inch (mm)

19-5/8" 498

Load class

A15-C250

Weight, lb (kg)

1.78 (0,81)

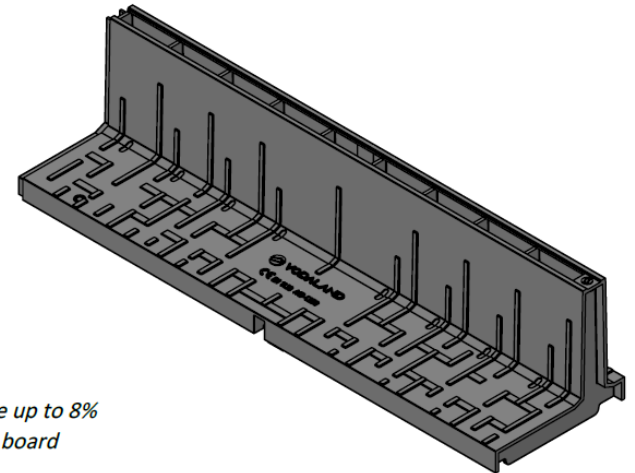
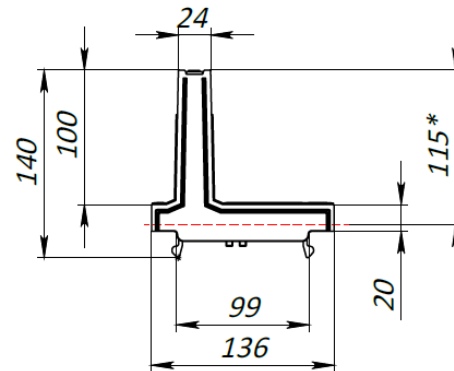
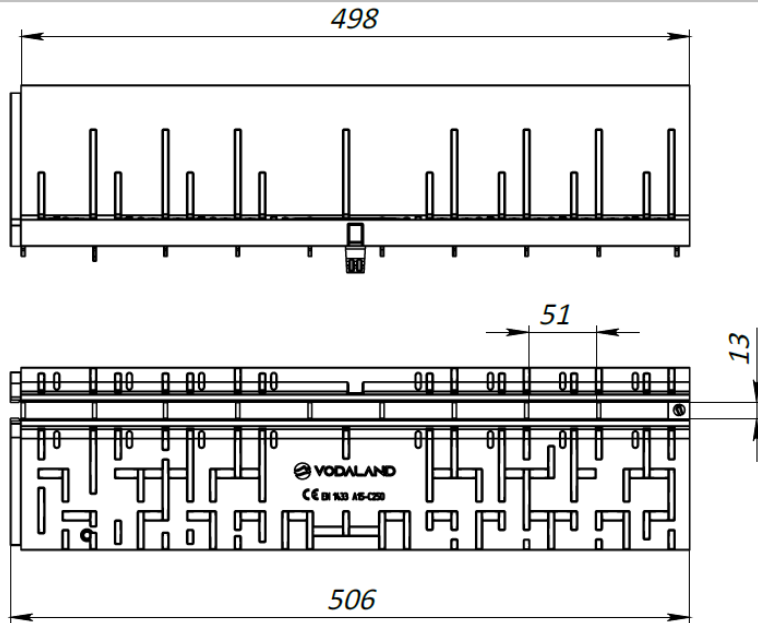
Item

2087-L-100



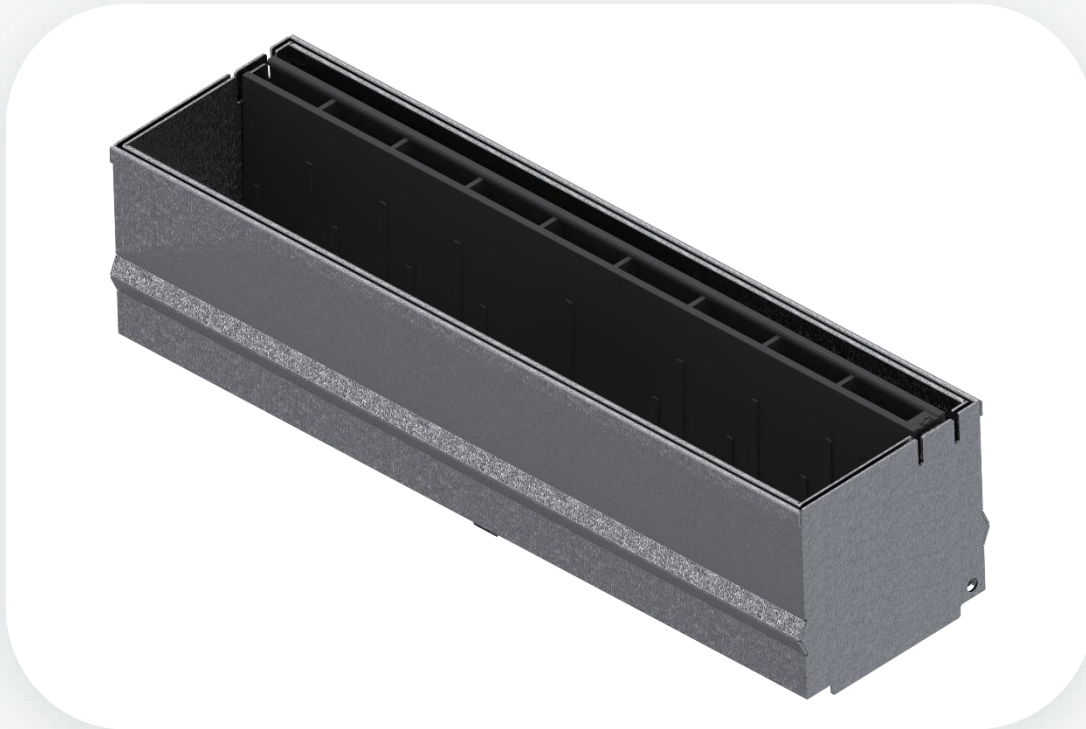
- Important! The height of the slot drain from the upper level of the high side of the channels is 100 mm!
- Important! The height of the slot drain from the top level of the standard side of the channels is 115 mm!
- Important! The height of the slot drain from the upper level of the polymer concrete channels board is 120 mm!

4" Plastic slot drain L-type H3.94" for channel Base A15-C250 (2087-L-100). (Plastic slot drain L-type H100 for channel Base DN100 A15-C250 (2087-L-100))



2. Deviation of the actual weight of the nominal can be up to 8%
3. *-mounting height for Base channels with standard board

4" Composite revision with a galvanized frame of slot plastic drain L-type H3.94" for channel Base A15 (201875-L-100). (Composite revision with a galvanized steel frame of slot plastic drain L-type H100 for channel Base DN100 A15 (201875-L-100))



Technical characteristics

Width, inch (mm)

5-5/8" (144)

Height, inch (mm)

5-1/2" (138)

Length, inch (mm)

19-5/8" 498

Load class

A15

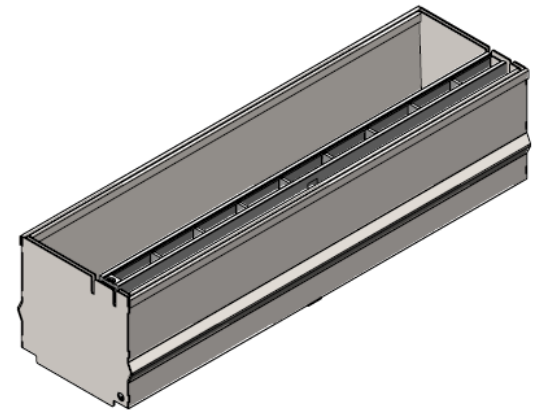
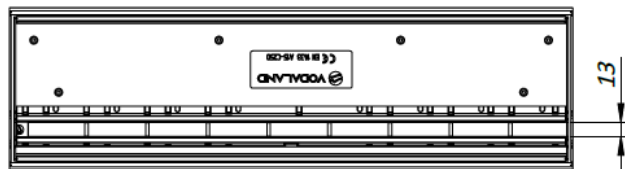
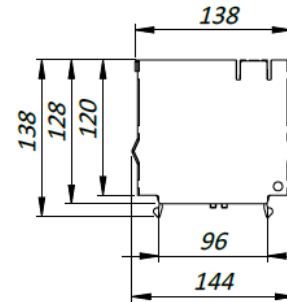
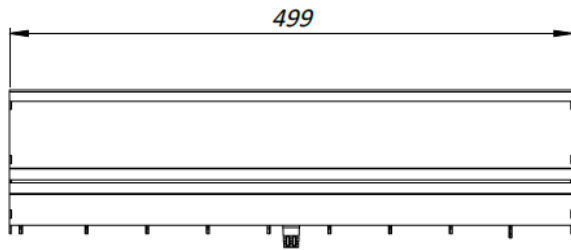
Weight, lb (kg)

10.23 (4,64)

Item

201875-L-100

4" Composite revision with a galvanized frame of slot plastic drain L-type H3.94" for channel Base A15 (201875-L-100). (Composite revision with a galvanized steel frame of slot plastic drain L-type H100 for channel Base DN100 A15 (201875-L-100))



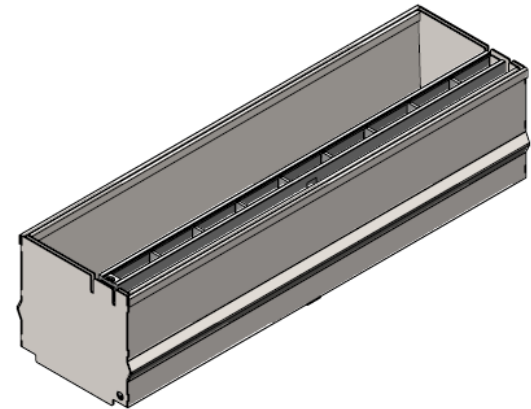
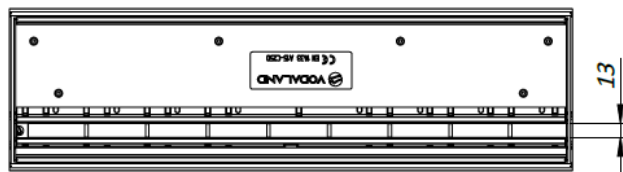
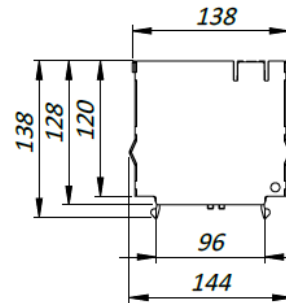
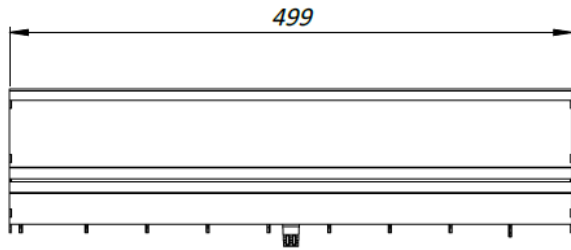
4" Composite revision of slot plastic drain L-type H3.94" for channel Base A15 (209875-L-100). (Composite revision of slot plastic drain L-type H100 for channel Base DN100 A15 (209875-L-100))



Technical characteristics

Width, inch (mm)	5-5/8" (144)
Height, inch (mm)	5-1/2" (138)
Length, inch (mm)	19-5/8" 498
Load class	A15
Weight, lb (kg)	10.45 (4,75)
Item	209875-L-100

4" Composite revision of slot plastic drain L-type H3.94" for channel Base A15 (209875-L-100). (Composite revision of slot plastic drain L-type H100 for channel Base DN100 A15 (209875-L-100))



4" Galvanized revision of slot plastic drain L-type H3.94" for channel Base A15-C250 (201175-L-100).

(Galvanized steel revision of slot plastic drain L-type H100 for channel Base DN100 A15-C250 (201175-L-100))



Technical characteristics

Width, inch (mm)

5-5/8" (144)

Height, inch (mm)

5" (128)

Length, inch (mm)

19-5/8" (498)

Load class

A15-C250

Weight, lb (kg)

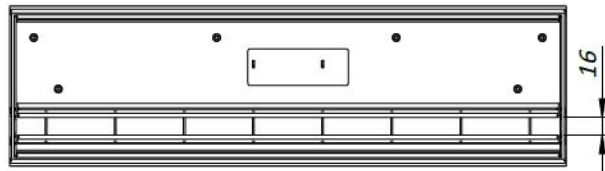
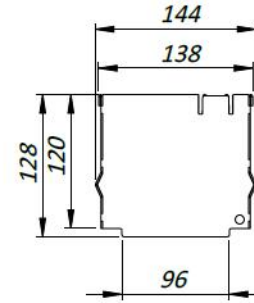
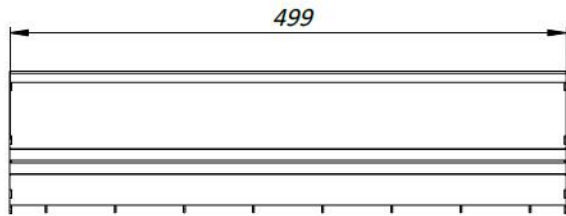
14.1 (6,4)

Item

201175-L-100

4" Galvanized revision of slot plastic drain L-type H3.94" for channel Base A15-C250 (201175-L-100).

(Galvanized steel revision of slot plastic drain L-type H100 for channel Base DN100 A15-C250 (201175-L-100))



4" Stainless steel revision of slot plastic drain L-type H3.94" for channel Base A15-C250 (209975-L-100). (Stainless steel revision of slot plastic drain L-type H100 for channel Base DN100 A15-C250 (209975-L-100))



Technical characteristics

Width, inch (mm)

5-5/8" (144)

Height, inch (mm)

5" (128)

Length, inch (mm)

19-5/8" (498)

Load class

A15-C250

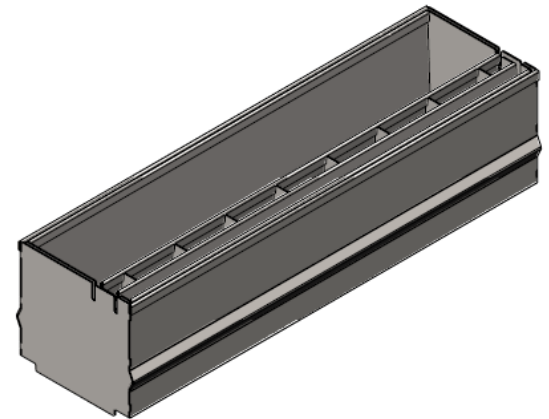
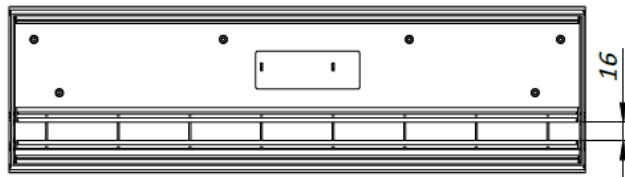
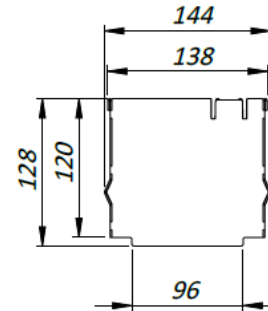
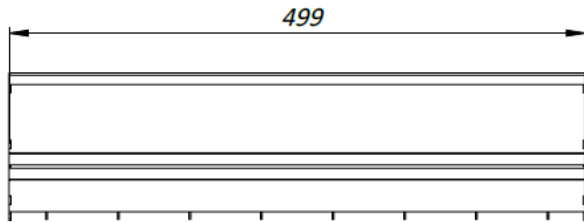
Weight, lb (kg)

14.5 (6,56)

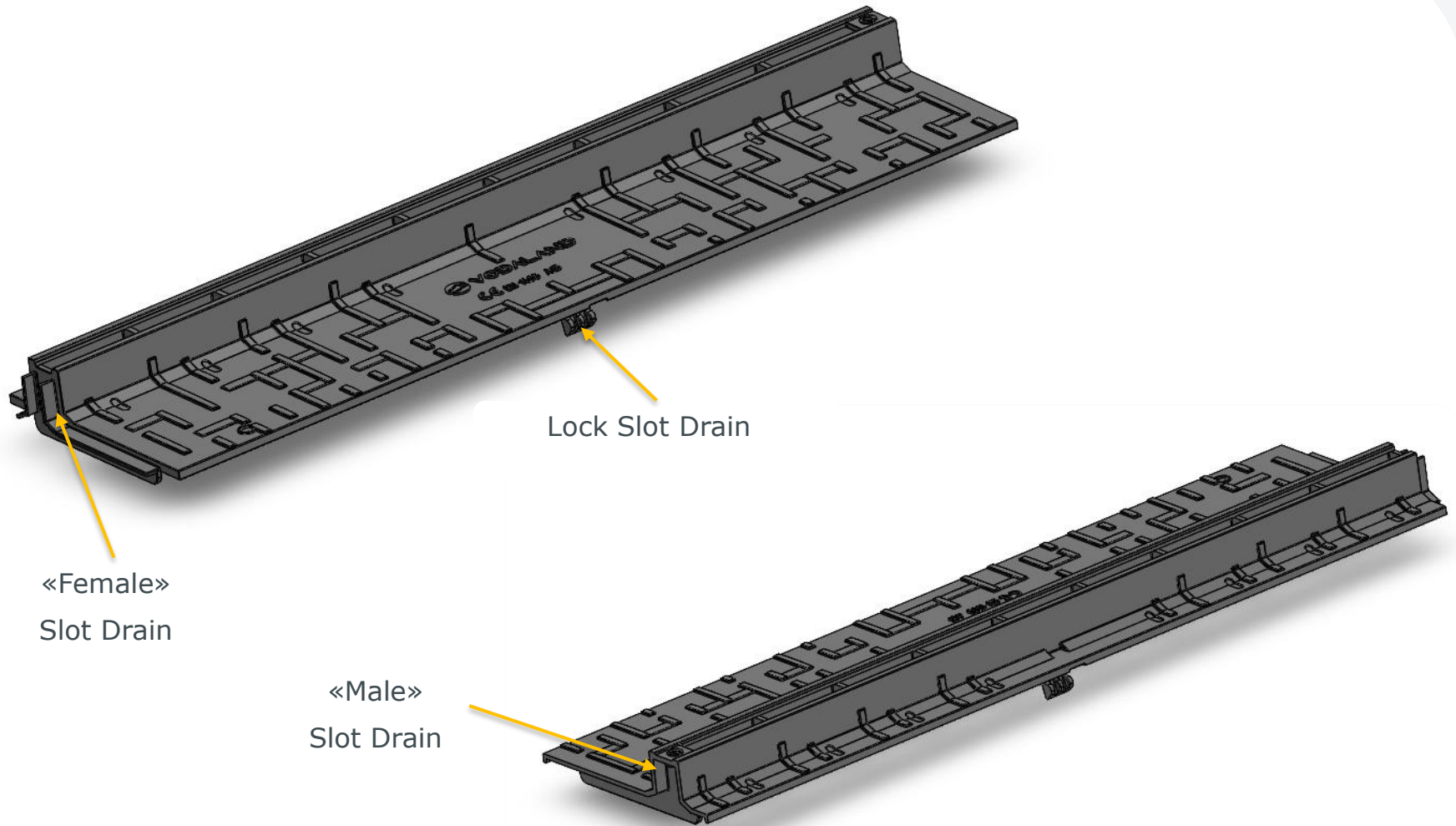
Item

209975-L-100

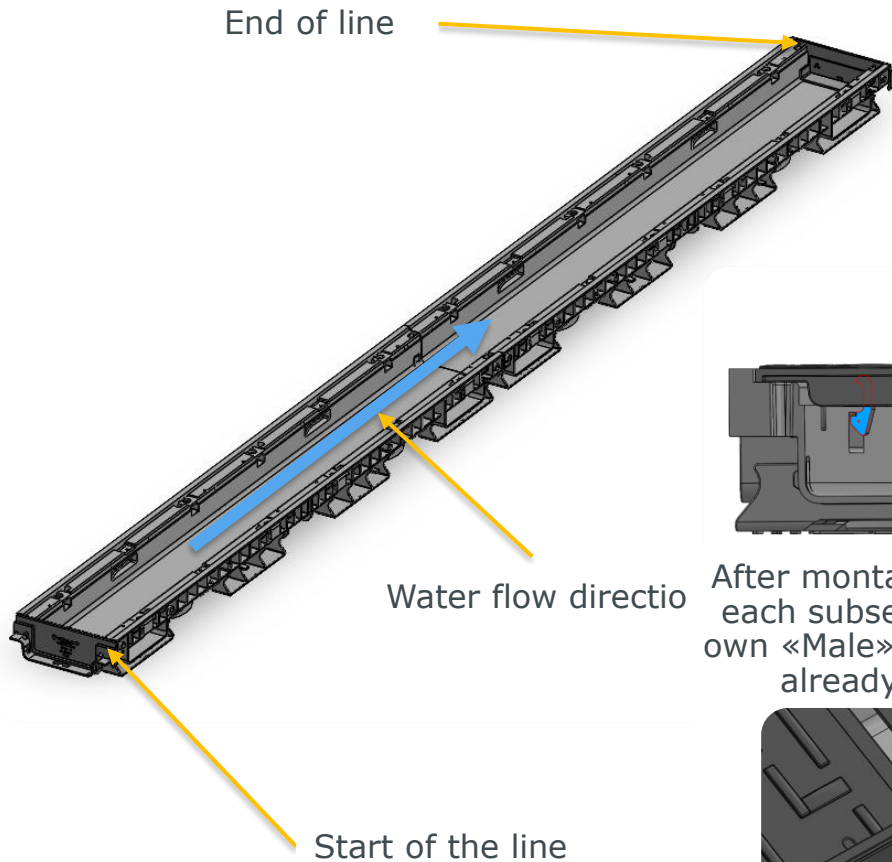
4" Stainless steel revision of slot plastic drain L-type H3.94" for channel Base A15-C250 (209975-L-100). (Stainless steel revision of slot plastic drain L-type H100 for channel Base DN100 A15-C250 (209975-L-100))



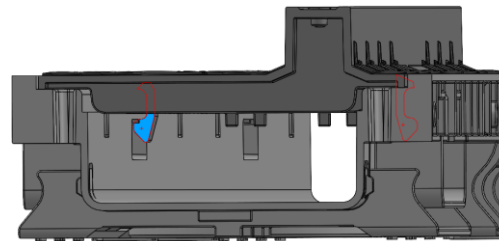
Structure plastic slot drain



Montage plastic slot drain

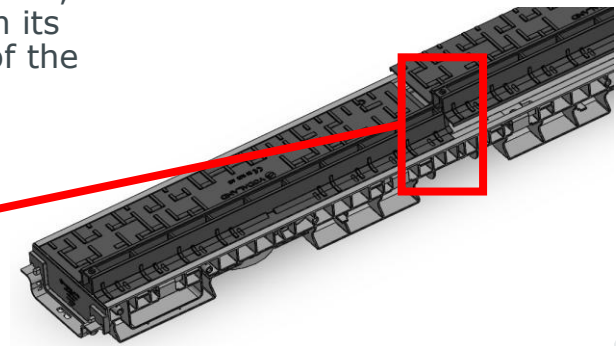
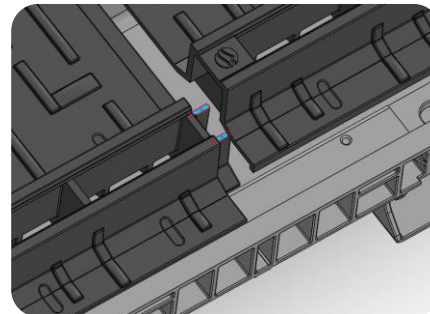


First the channel line is installed according to the installation scheme after which the slot drain are put on



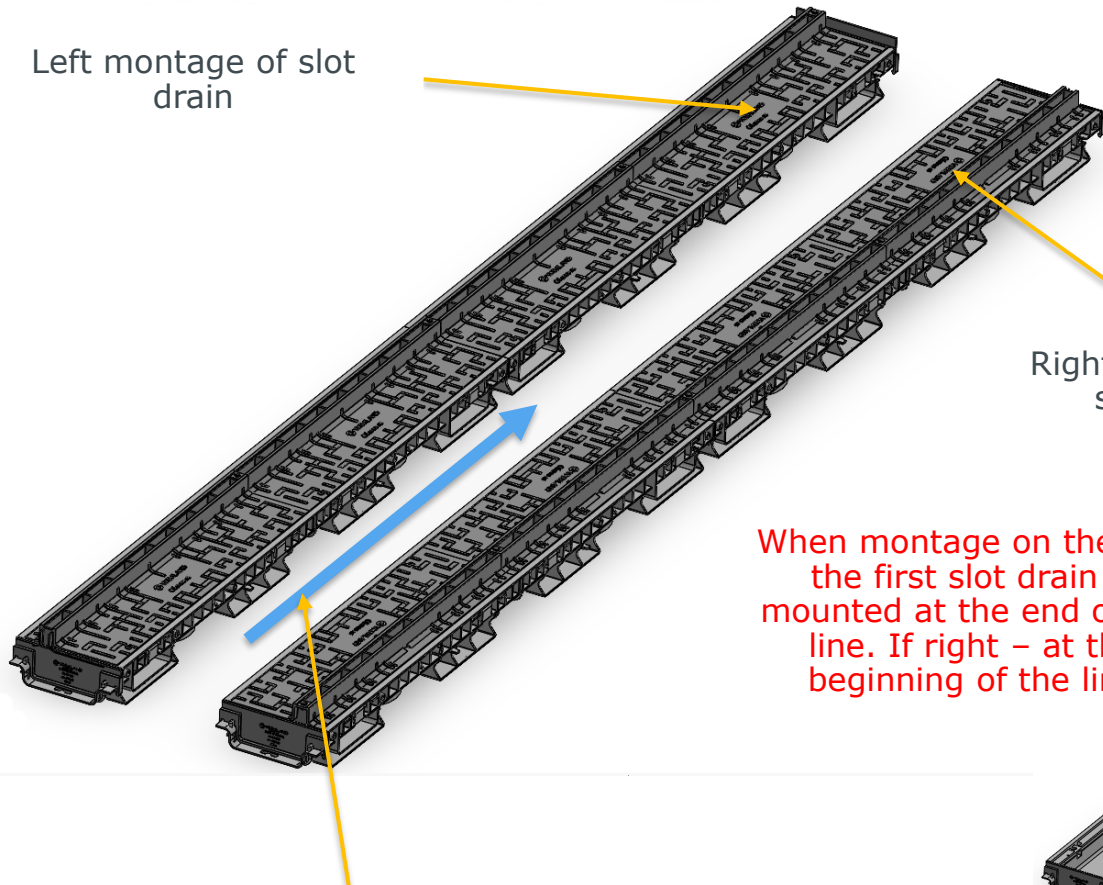
The slot drain locks into specially designated places in the channel – eliminates vertical displacement during further montage. In the longitudinal direction the slot drain has a slight backlash which allows you to center the slot drain in the center of the Channel

After montage the first Slot Drain , each subsequent one is put on its own «Male» on the «Female» of the already installed slot drain



Montage plastic slot drain

Left montage of slot drain

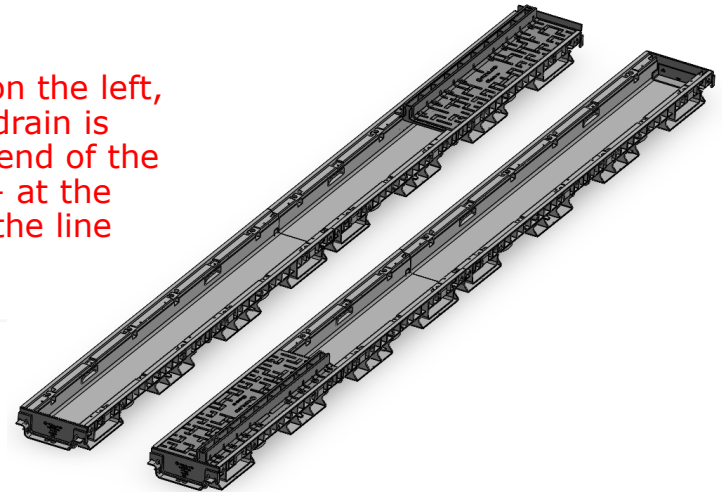


There is a distinction between **left** and **right** mounting of slotted drain relative to the direction of water flow

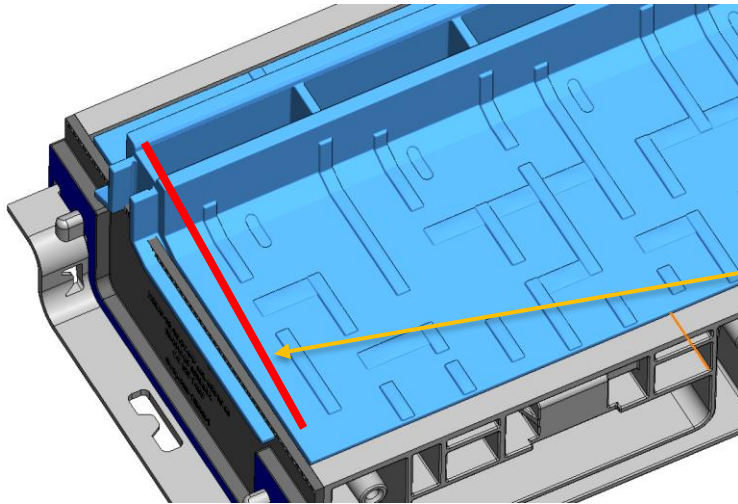
Right montage of slot drain

When montage on the left, the first slot drain is mounted at the end of the line. If right – at the beginning of the line

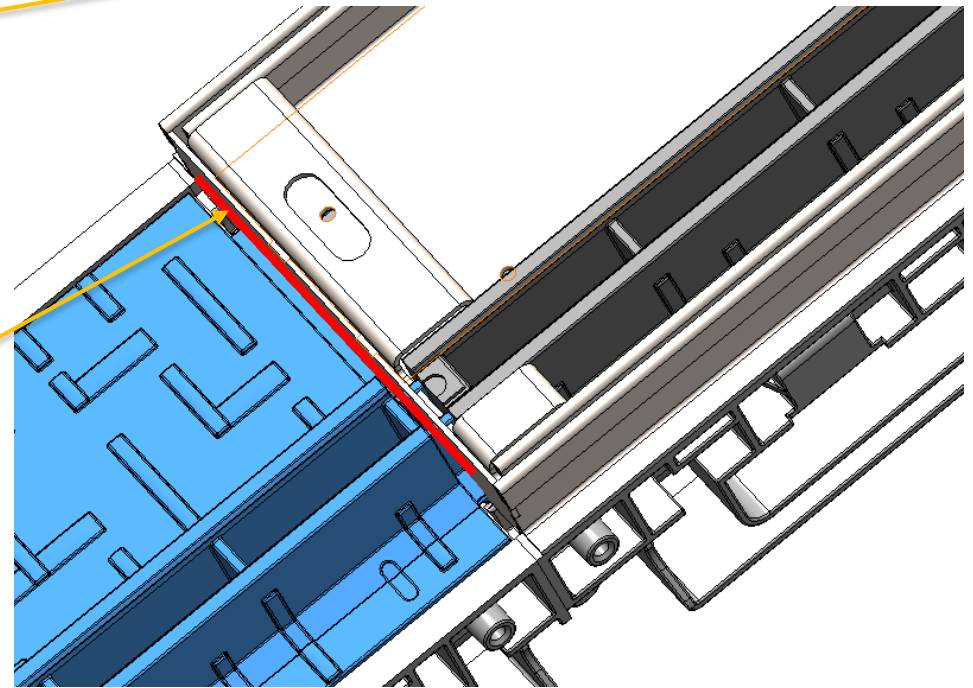
Water flow direction



Montage plastic slot drain



For both left and right mounting it is necessary to cut off the «Female» of the last slot drain that is being mounted – so that it does not interfere with landing near the caps



When mounting the revision element, the «Female» of the adjacent slot drain, which is adjacent to the revision, must also be cut off



Thank you!

Any other questions?

